

Mini Support Posts

Pack of 50



FEATURES:

Miniature Spacer Pack (50 pieces)

Snap in fastening

Hole diameter 3.18 mm ± 0.08 mm

Panel thickness 1.57 mm

SPECIFICATION:

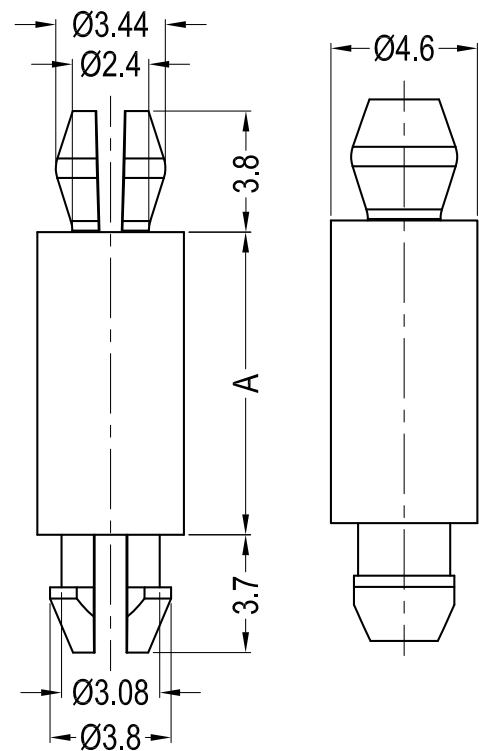
Material PA 66, UL94-V2

Bore 3.18 mm

Colour Natural

PRODUCT RANGE:

Art. Nr.	A	Length
RND 610-00262	4.8 mm	12.3 mm
RND 610-00263	6.4 mm	13.9 mm
RND 610-00264	7.9 mm	15.4 mm
RND 610-00265	9.5 mm	17 mm
RND 610-00266	11.1 mm	18.6 mm
RND 610-00267	12.7 mm	20.2 mm
RND 610-00268	14.3 mm	21.8 mm
RND 610-00269	15.9 mm	23.4 mm
RND 610-00270	19.1 mm	26.6 mm
RND 610-00271	20.6 mm	28.1 mm
RND 610-00272	22.2 mm	29.7 mm
RND 610-00273	25.4 mm	32.9 mm
RND 610-00274	28.6 mm	36.1 mm
RND 610-00275	31.7 mm	39.2 mm
RND 610-00276	34.9 mm	42.4 mm
RND 610-00277	38.1 mm	45.6 mm



For more information and technical drawings, please contact us at info@distrelec.com.